

# PH 3/2 Academy

The three lights on the fixture are designed based on the principle of a reflective threes shade system which directs the majority of the light downwards. The shades are made of mouth-blown opal three-layer glass, which is glossy on the top and sandblasted matt on the inside, giving a soft and diffuse light distribution.



A private  
Residence TG



Vinbrasserie Bistron KBH

## Product info

### Mounting

Suspension type: Cable 2x0,75mm<sup>2</sup>. Canopy: Yes. Cable length: 4m.

### Finish

High lustre chrome plated. White opal glass.

### Materials

Shades: Mouth-blown white opal glass. Frame: High lustre chrome plated, extruded brass. Suspension: High lustre chrome plated, extruded brass.

### Sizes and weights

Width x Height x Length (mm) | 680 x 345 x 680 Max 6.4 kg

### Class

Ingress protection IP20. Electric shock protection II w/o ground.

### Specification notes

The innovation of light sources is ongoing. Consequently we only inform about the max. wattages. On [www.louispoulsen.com](http://www.louispoulsen.com) we update a list of recommendable light sources.

### Light source

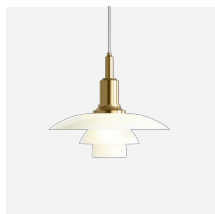
3x40W E14



## Product family



PH 3/2 Table



PH 3/2 Pendant



PH 3/2 Wall

## Product variants

### Light source

3x40W E14

# Design

Poul Henningsen

# Weight

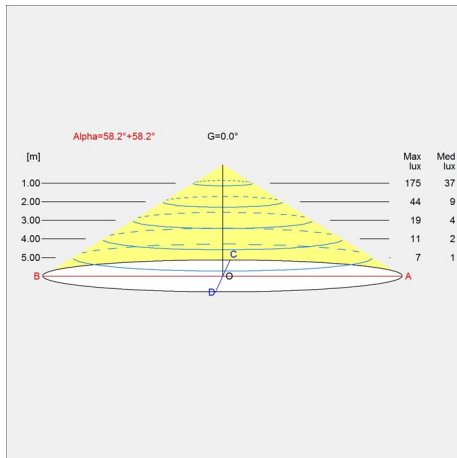
6.427

# Finish

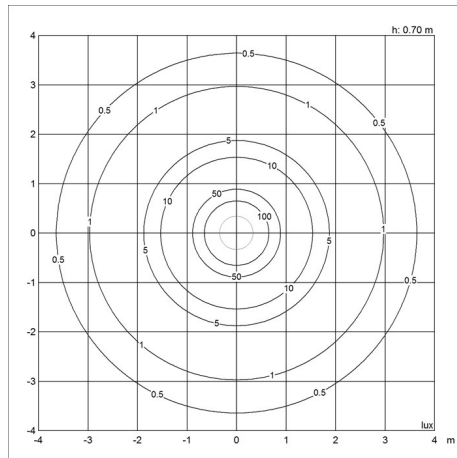
High lustre chrome plated

# Light distribution diagrams

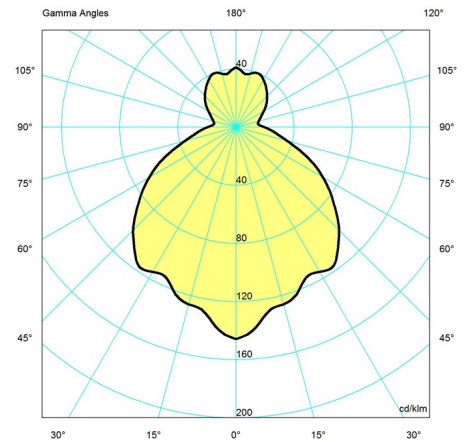
## Cartesian



## Isolux



## Polar



# Spare parts & accessories

### Product

- PH 3-2, middle shade glass
- PH 3-2, lower shade glass
- PH 3-2, Academy top shade glass
- Canopy chrome Academy PH 44230

### Variant number

- 5741481598
- 5741481608
- 5741481682
- 5741481734

